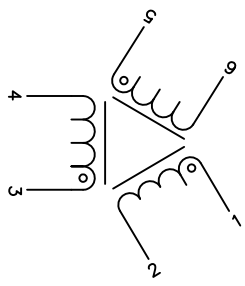
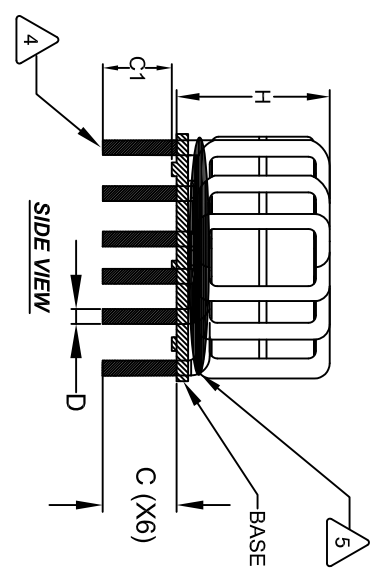


The information contained in this drawing is the sole property of Coil Winding Specialist Inc. (CWS) Any reproduction in part or whole without written permission of CWS is prohibited.

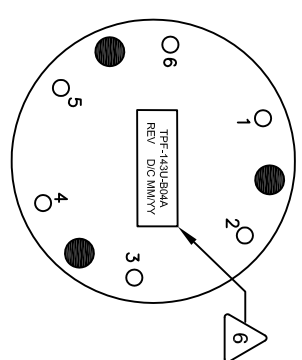
DIMENSIONAL TOLERANCE INCHES [MM]					REVISION HISTORY						
L(OD) Max	H(HGT) Max	C(LEAD) Min	C1(LEAD) TYP	D(LEAD) TYP	REV	ECN	DESCRIPTION	BR	DATE	CHK	DATE
1.10 [27.80]	0.75 [19.05]	0.50 [12.70]	0.44 [11.30]	0.031 [0.80]	A		PRODUCTION RELEASE	TN	01/22/2020	JL	01/22/2020



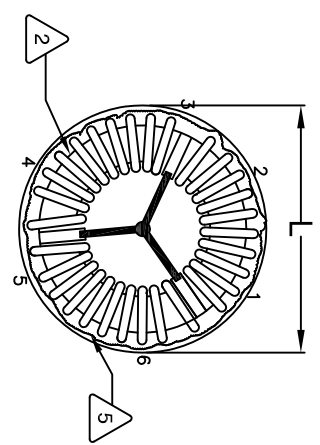
**SCHEMATIC**



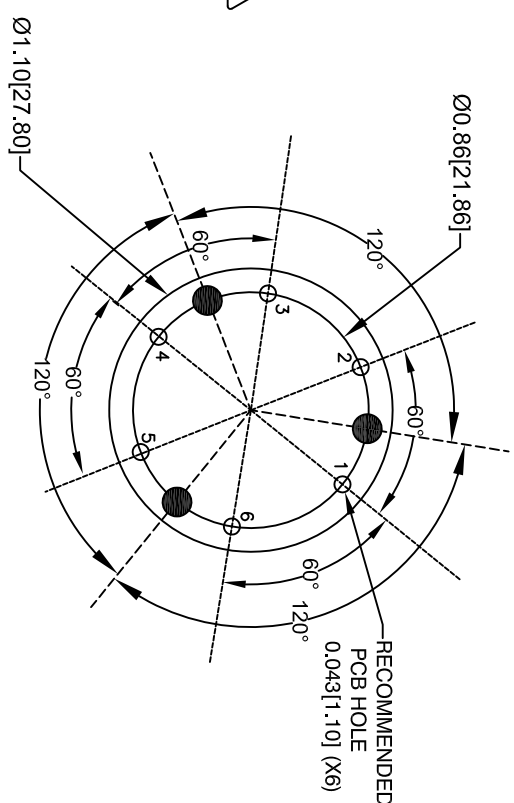
**SIDE VIEW**



**BOTTOM VIEW**



**TOP VIEW**



**MOUNTING HOLES PATTERN (TOP VIEW)**

- 7 BUILT TO ROHS COMPLIANCE AND LEAD FREE
  - 6 LABEL PART NUMBER, REVISION AND DATE CODE AT THE BOTTOM OF THE BASE
  - 5 APPLY SILICONE BETWEEN COIL AND BASE
  - 4 TIN LEADS (NO INSULATION IS ALLOWED BELOW THE BASE LEVEL)
- WEIGHT = 23 GRAMS (TYP)  
 OPERATING TEMP RANGE = -40°C TO 125°C  
 MAX TEMP RISE = 30°C  
 INTERWINDING ISOLATION = 2000 VOLTS RMS  
 DCR ON EACH WINDING = 21mΩ MAX  
 SRF = 602KHZ TYPICAL  
 RATED VOLTAGE = 1000 VAC OR VDC  
 RATED CURRENT = 4 AMPS  
 LEAKAGE INDUCTANCE = 10uH TYP @ 10 KHZ, 0.25 Vrms  
 INTERWINDING CAPACITANCE = 15pF TYP @ SRF  
 IMPEDANCE = 7.92kΩ TYPICAL @ SRF  
 L = 14mH±20% @ 1 KHZ, 0.25 Vrms, 0 ADC
- 3 SPECIFICATIONS AT 25°C:

WIRE: UL RECOGNIZED 200°C RATED MAGNET WIRE  
 CWS BYTEMARK OR OTHER APPROVED PART  
 CORE: NANOCRYSTALLINE OR AMORPHOUS CORE

1 CASE RATING CLASS B (130°C) REQUIRED  
 MATERIAL: UL RECOGNIZED FOR FLAMMABILITY

NOTES: UNLESS OTHERWISE SPECIFIED, READ NOTES FROM BOTTOM TO TOP.  
 CAGE CODE: 5DME2

UNLESS OTHERWISE SPECIFIED		AUTOCAD	
DIMENSIONING AND TOLERANCE PER ANSI Y14.5M AND [UNITS/INCHES]	TOLERANCE INCHES: $\pm .0005$ $\phi$ $\pm .0030$ $\times .0005$ $\pm .127$ $\times .001$ $\pm .38$	DATE	SCALE
DRWN: TN	01/22/2020	DATE	X
CHKD: JM	01/22/2020	DESCRIPTION	SOLIDWORKS
ENGR: JL	01/22/2020	TITLE: Nanocrystalline Inductor Three-Phase Common Mode Choke Horizontal Mount	
APPR: JL	01/22/2020	SIZE [DIM. NO.]	B
		TPF-143U-B04A	A
		SCALE	N/A
		SHEET 10F	1